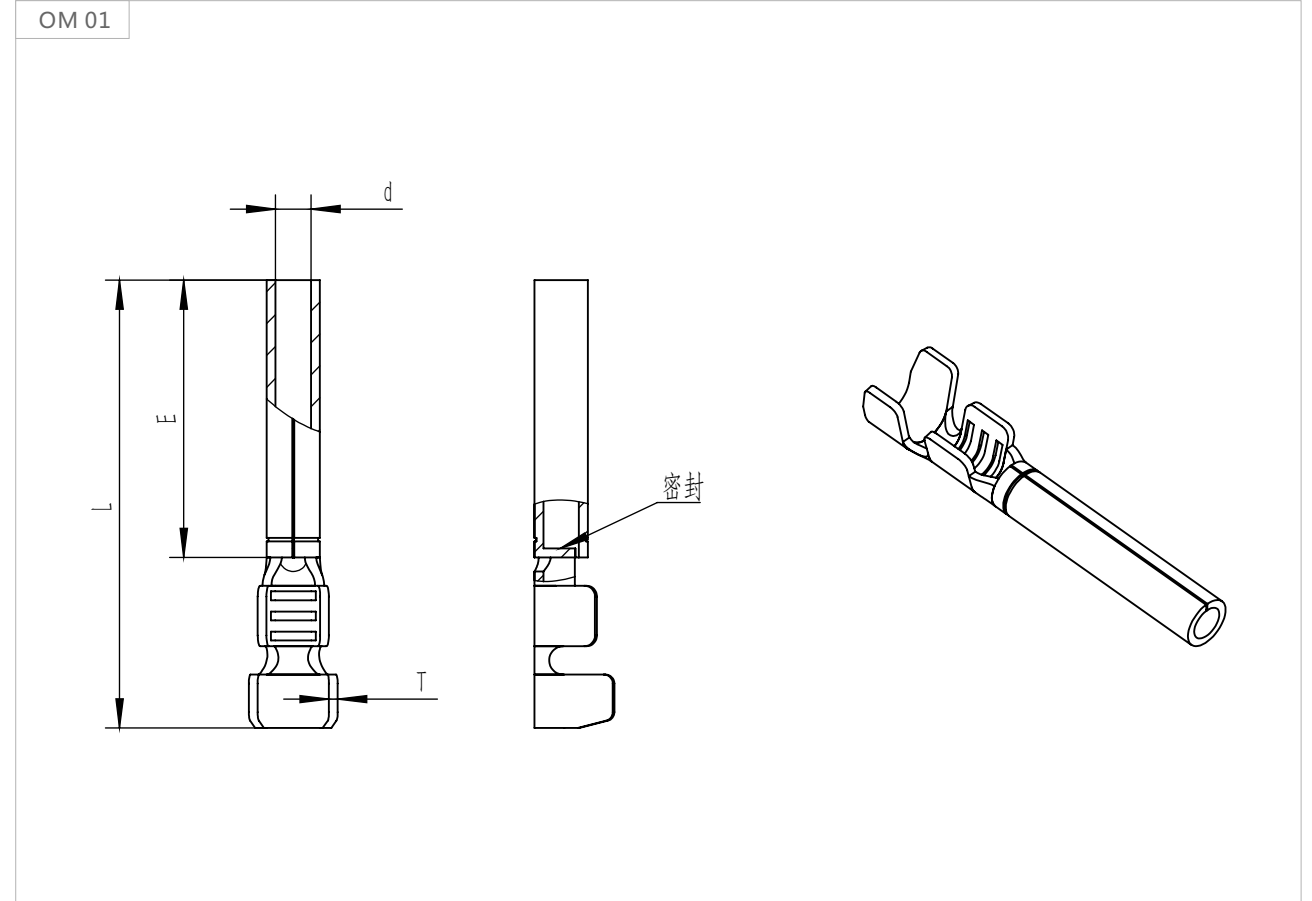
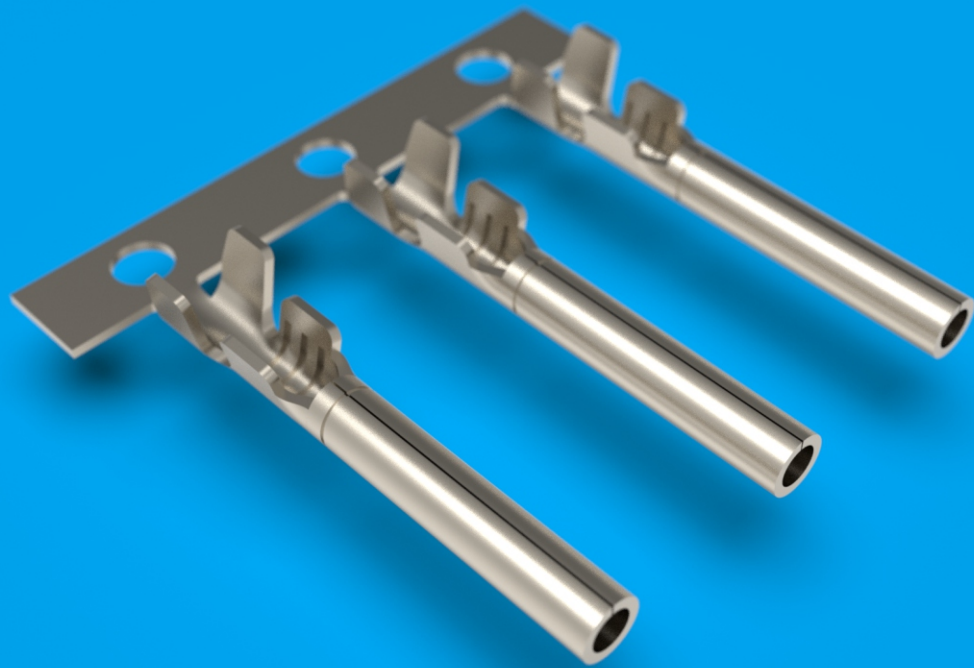


OM 型母端 ($\Phi 1.0$ - $\Phi 3.97$ 双脚密封母端)



图号 Fig	品名编号 Part NO.	尺寸 Dimension(mm)					适用电线 WireRange (AWG#)	材质 Material	连接方式 Connection	数量 Q'TY (PCS/R)	备注 Remarks
		公插 Tab	d	E	L	T					
OM01	OM100782SJ-BHS-1	1	1	7.8	12.5	0.25	22-24	H65铜	横带	10K	16*5.5
	OM100783SJ-BHS-1	1	1	7.8	12.5	0.25	20-22				16*5.5
	OM100981SJ-BHS-1	1	1	9.8	14.5	0.25	24-26				18*5.5
	OM100982SJ-BHS-1	1	1	9.8	14.5	0.25	22-24				18*5.5
	OM100983SJ-BHS-1	1	1	9.8	14.5	0.25	20-22				18*5.5
	OM120782SJ-BHS-1	1.2	1.2	7.8	12.5	0.25	22-24				16*5.5
	OM120982SJ-BHS-1	1.2	1.2	9.8	14.5	0.25	22-24			18*5.5	
	OM151481SJ-BHS-0	1.5	1.5	8.1	14.1	0.25	18-22				
	OM160823SJ-BHS-0	1.6	1.6	8.2	15.6	0.3	20-24			19*7.5	
	OM1650823SJ-BHS-0	1.65	1.65	8.2	15.6	0.3	20-24			19*7.5	
	OM1708203SJ-BHS-0	1.7	1.7	8.2	15.6	0.3	20-24			19*7.5	
	OM235SJA-BHS-1	2.35	2.35	9.5	18.6	0.3	16-20			22.5*9.5	
	OM235SJB-BHS-1	2.35	2.35	9.5	18	0.3	18-22			22*10	
	OM3003SJ-BHS-1	3	3	10.2	21.3	0.3	16-20			31.5*11	
	OM39740SJ-BHS-1	4-4.1	3.97	10.2	21.3	0.4	16-20			4K 25*16.5	
	OM29003SJ-BHS-1	2.9-3	3	10.2	21.3	0.3	16-20			5K 31.5*11	